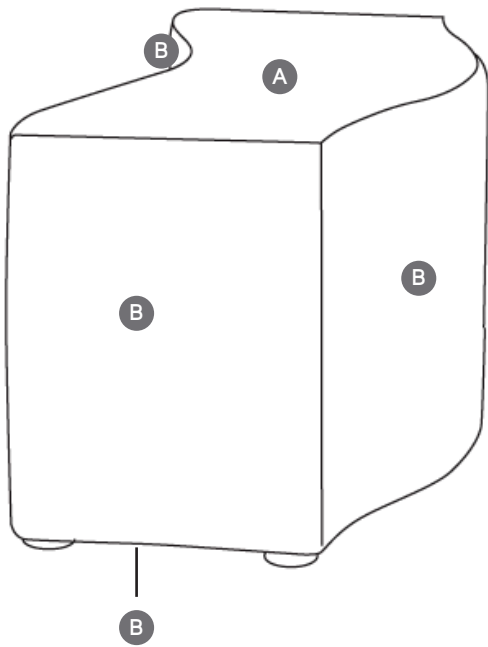


# 490-B35HRZ Ripple Contrasting Sketches



TO: \_\_\_\_\_

FROM: \_\_\_\_\_

DATE: \_\_\_\_\_

FAX....888.413.5161

**A** Seat (upholstery selections default for entire unit if B is not selected):  
\_\_\_\_\_

**B** Side/End Panels and Underside:  
\_\_\_\_\_

\$105 list per contrasting fabric specified.  
List price based on highest grade textile specified.

Coalesse

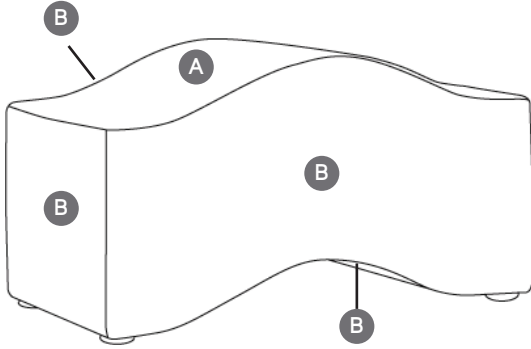
# 490-B35VRT Ripple Contrasting Sketches

TO: \_\_\_\_\_

FROM: \_\_\_\_\_

DATE: \_\_\_\_\_

FAX....888.413.5161



**A** Seat (upholstery selections default for entire unit if B is not selected):  
\_\_\_\_\_

**B** Side/End Panels and Underside:  
\_\_\_\_\_

\$105 list per contrasting fabric specified.  
List price based on highest grade textile specified.

Coalesse

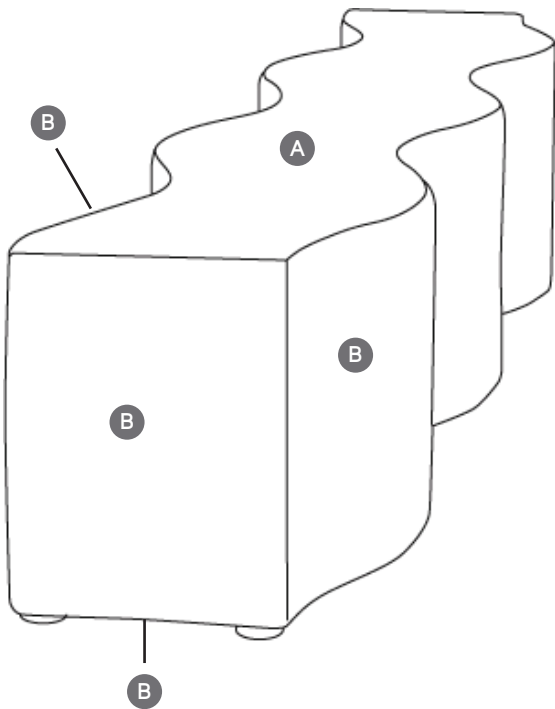
# 490-B96HRZ Ripple Contrasting Sketches

TO: \_\_\_\_\_

FROM: \_\_\_\_\_

DATE: \_\_\_\_\_

FAX....888.413.5161



**A** Seat (upholstery selections default for entire unit if B is not selected):

\_\_\_\_\_

**B** Side/End Panels and Underside:

\_\_\_\_\_

\$105 list per contrasting fabric specified.  
List price based on highest grade textile specified.

Coalesse

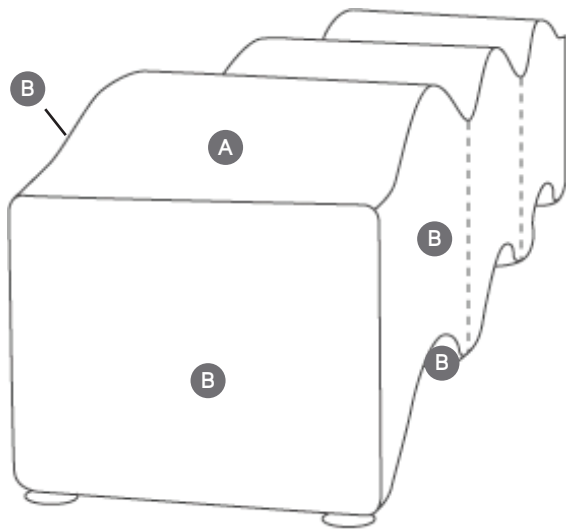
# 490-B96VRT Ripple Contrasting Sketches

TO: \_\_\_\_\_

FROM: \_\_\_\_\_

DATE: \_\_\_\_\_

FAX....888.413.5161



**A** Seat (upholstery selections default for entire unit if B is not selected):  
\_\_\_\_\_

**B** Side/End Panels and Underside:  
\_\_\_\_\_

\$105 list per contrasting fabric specified.  
List price based on highest grade textile specified.