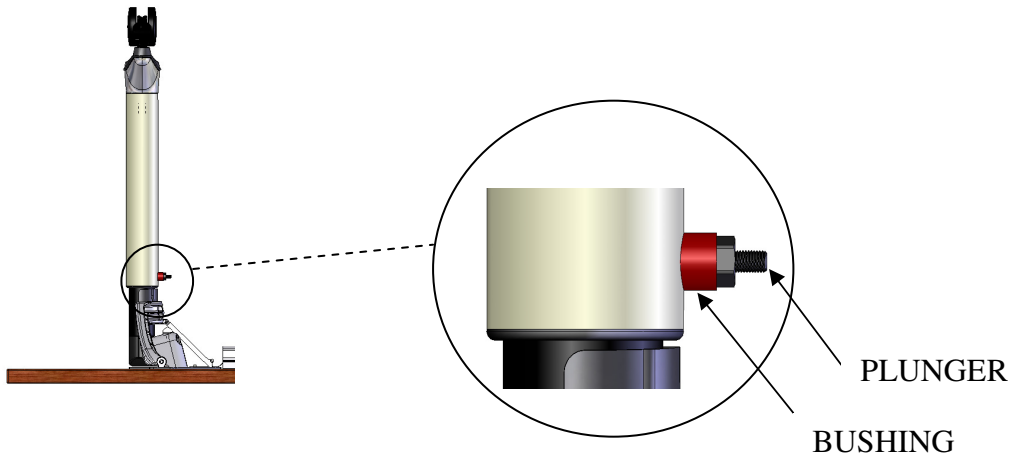


AKIRA – KNOB REPLACEMENT INSTRUCTIONS

PARTS LIST

<u>QTY</u>	<u>DESCRIPTION</u>
1	KNOB



INSTRUCTIONS

Place table on the floor with Legs pointing upwards as shown above.

- 1** Pull the Plunger and pull the Leg up simultaneously to detach the Leg.
- 2** a. Place the Leg assembly upright and orientate the Leg so the inner part of the Plunger is visible.
- 2** b. Grip the Plunger from inside of the Leg to stop rotation and screw in Knob.

Note: *In final state when the Knob is fully tightened, the red Bushing should be hidden (see below).*

