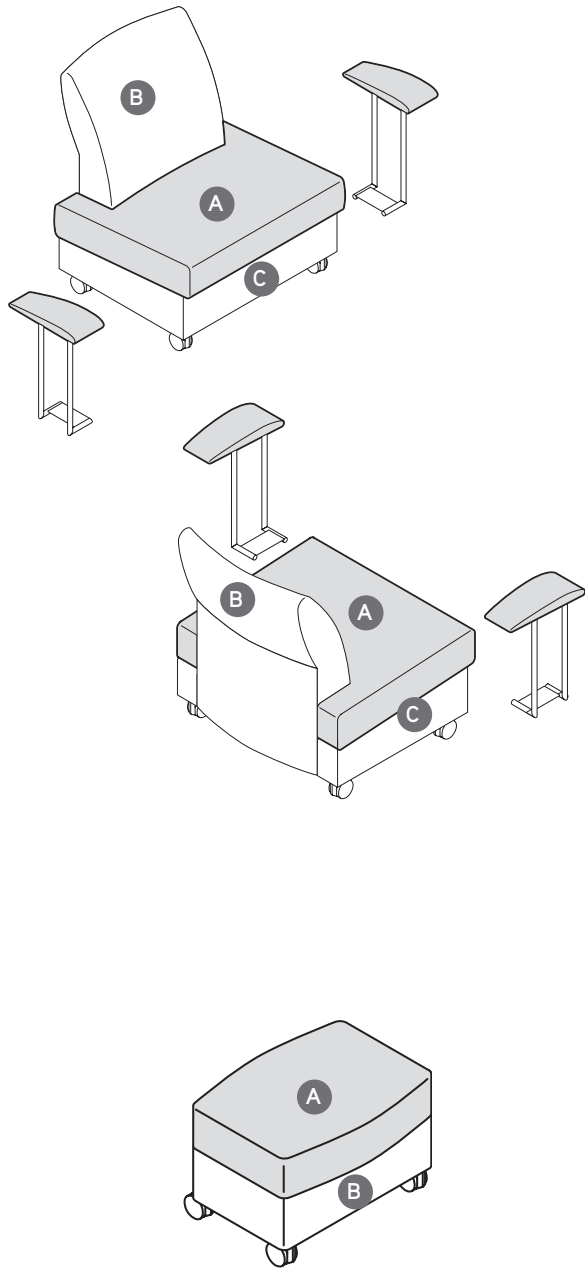


# Archipelago | Multi-Fabric Diagram and Yardage Request Form

DESIGN METRO DESIGN GROUP WITH EIGHT INC.



## Lounge

TO: \_\_\_\_\_

FROM: \_\_\_\_\_

DATE: \_\_\_\_\_

FAX...888.413.5161

**A** Seat (upholstery selections default for entire unit if B is not selected): \_\_\_\_\_

**B** Back: \_\_\_\_\_

**C** Baseframe: \_\_\_\_\_

*\*Arms ordered as separate option.*

*\*\$100 U.S. list per contrasting fabric specified. List price based on highest fabric grade usage.*

Lounge Seating

## Ottoman

TO: \_\_\_\_\_

FROM: \_\_\_\_\_

DATE: \_\_\_\_\_

FAX...888.413.5161

**A** Seat (upholstery selections default for entire unit if B is not selected): \_\_\_\_\_

**B** Baseframe: \_\_\_\_\_