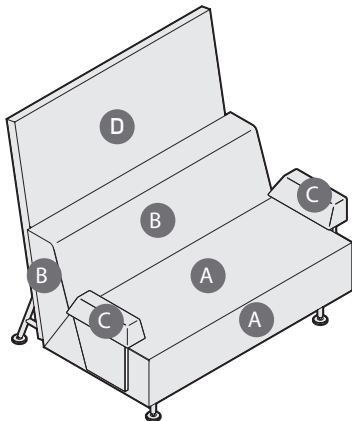
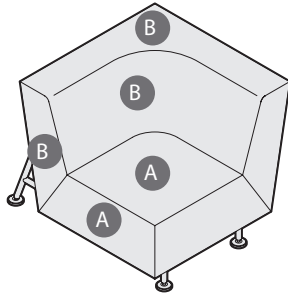
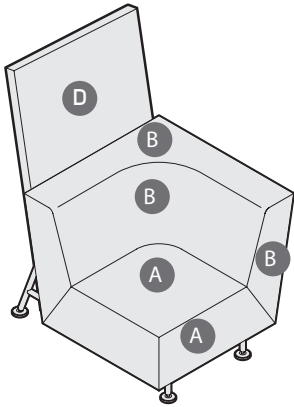
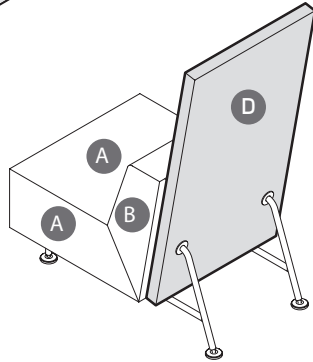
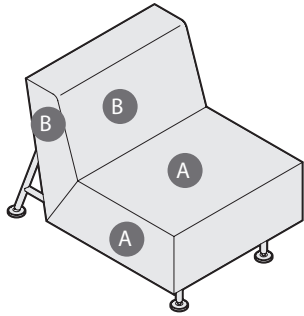


# Bix Contrasting Sketches



TO: \_\_\_\_\_

FROM: \_\_\_\_\_

DATE: \_\_\_\_\_

FAX....888.413.5161

**A** Seat (upholstery selections default for entire unit if B is not selected): \_\_\_\_\_

**B** Back: \_\_\_\_\_

**C** Arms: \_\_\_\_\_

**D** Back Screen: \_\_\_\_\_

\$100 list per contrasting fabric specified.  
List price based on highest grade textile specified.