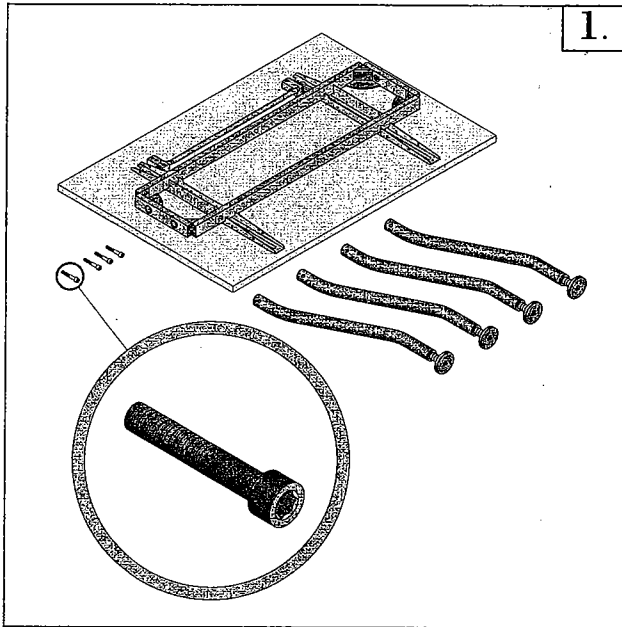
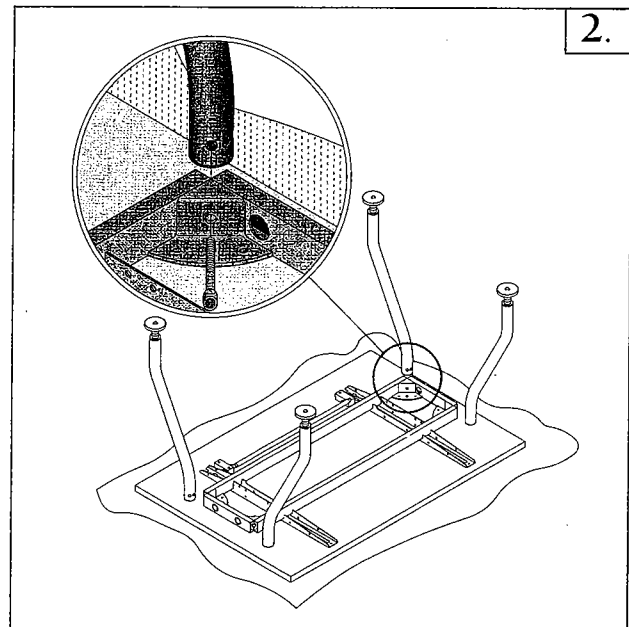


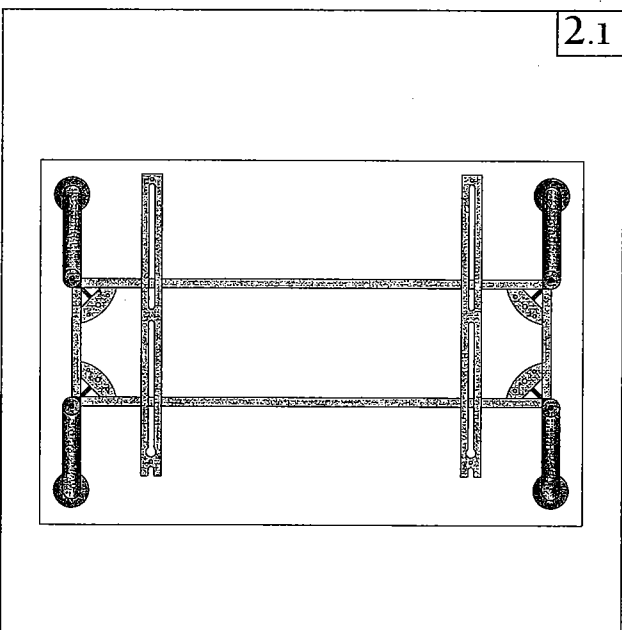
Werndl™ Emerge™ Table Assembly



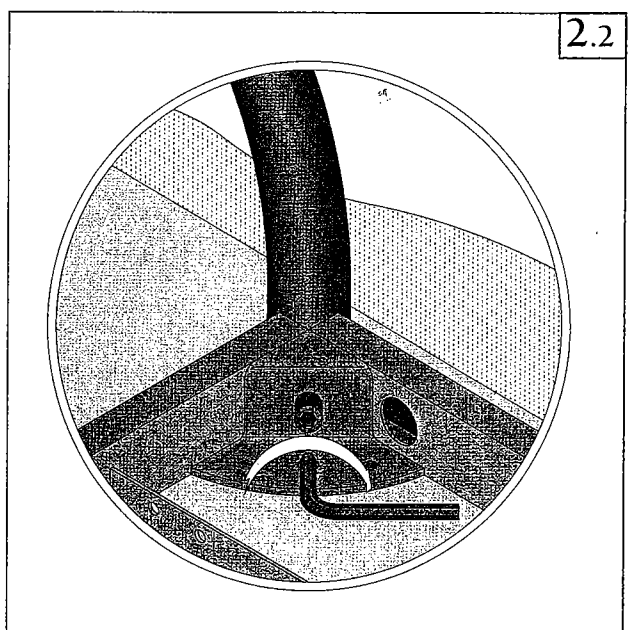
4 bolts M10 x 60
1 table top with top frame,
4 feet with foot tubes



Lay the wrapping material under the table top to prevent scratching.



See the following pages (top shape and foot pages) for proper foot positions to be used with a specific table top shape.



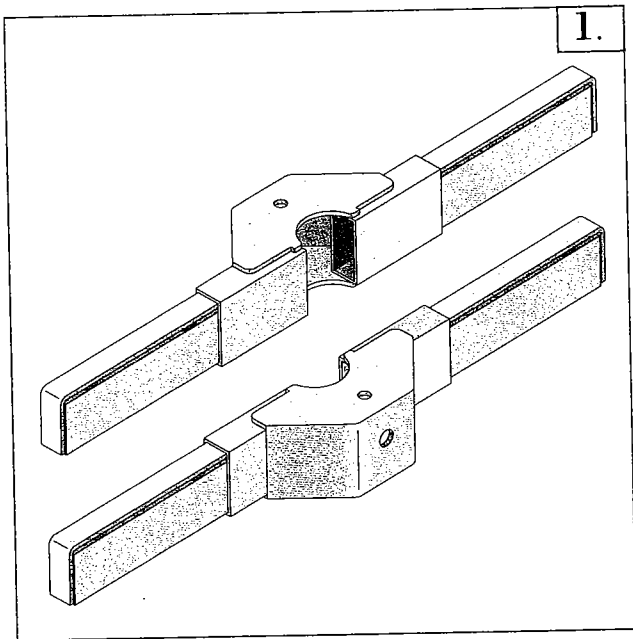
Turn the bolt into the threads of the foot tube. Then tighten with 8mm Allen wrench.

General
0
1
2
3
4
5
6

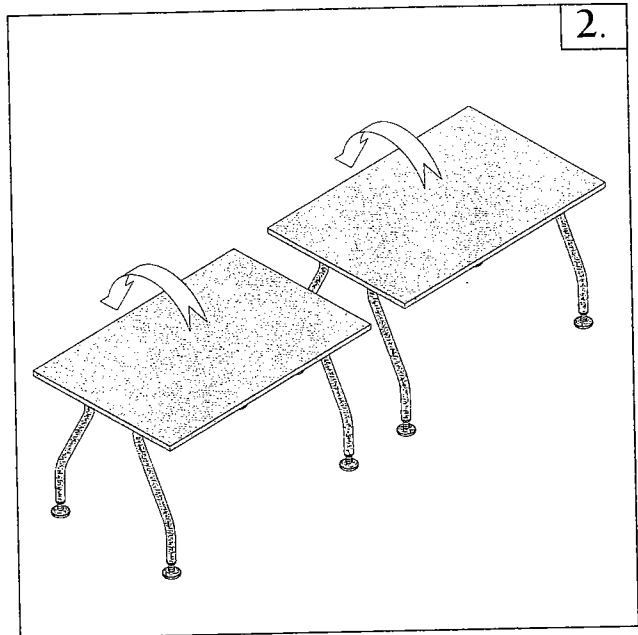


Werndl™ Emerge™

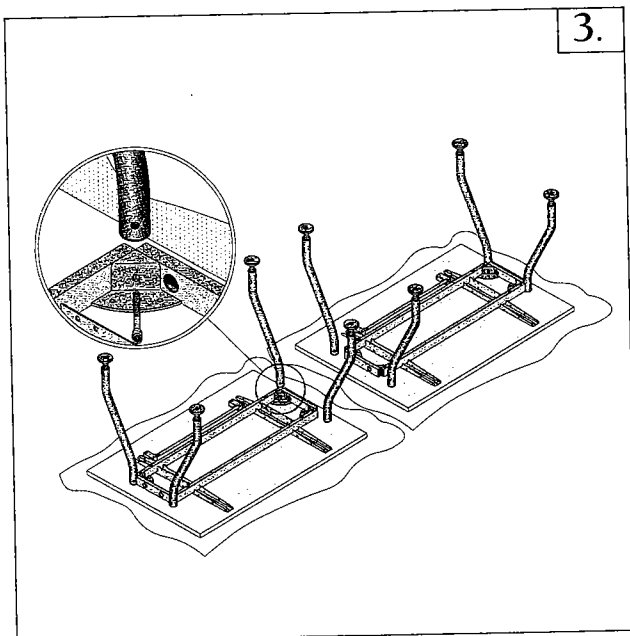
1.3.2 Linear Connector, Center Leg



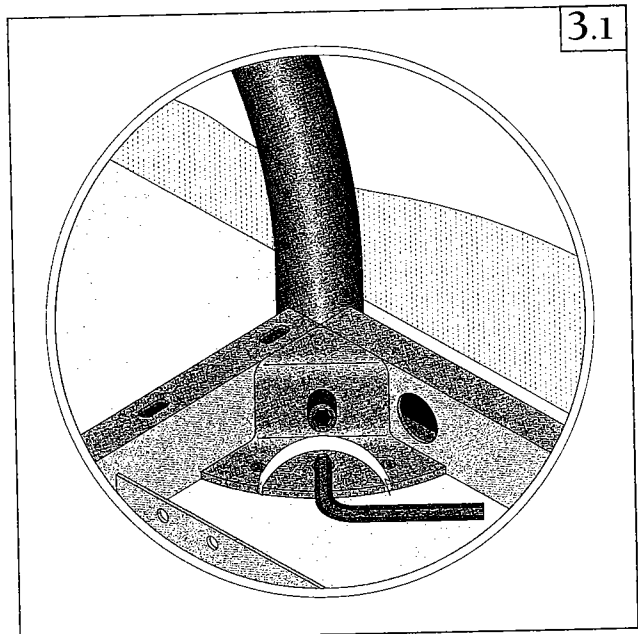
Package contents: 2 center leg adapters.



Turn both tables over with the tops on a blanket to prevent scratching.

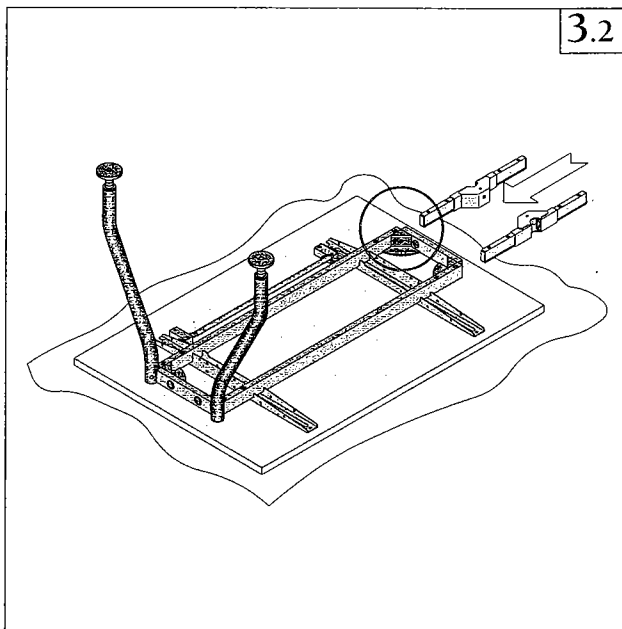


Remove the legs where you want to install the linear connector.

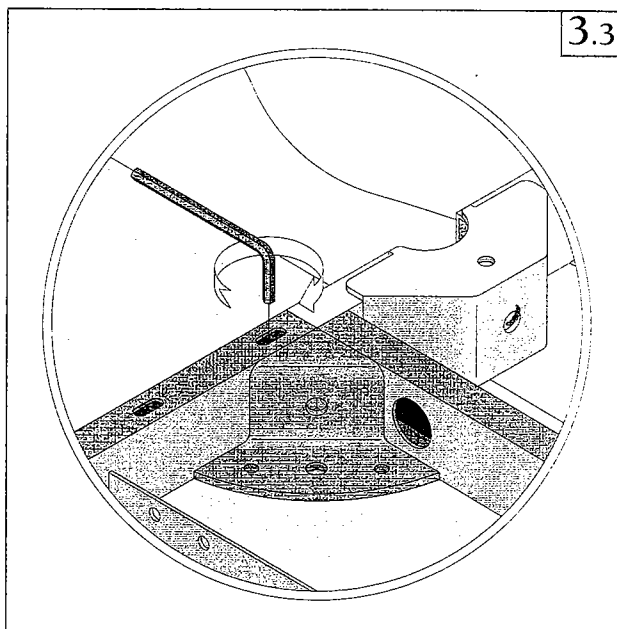


Remove the screw with an 8mm Allen wrench.

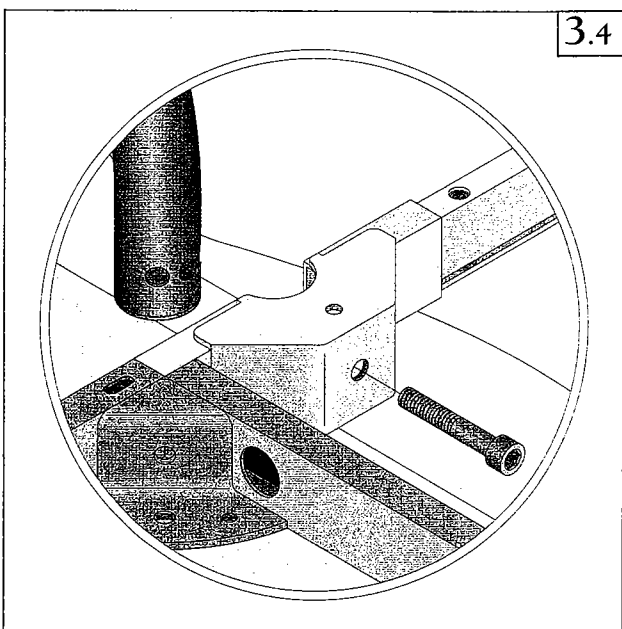
Werndl™ Emerge™ Linear Connector, Center Leg



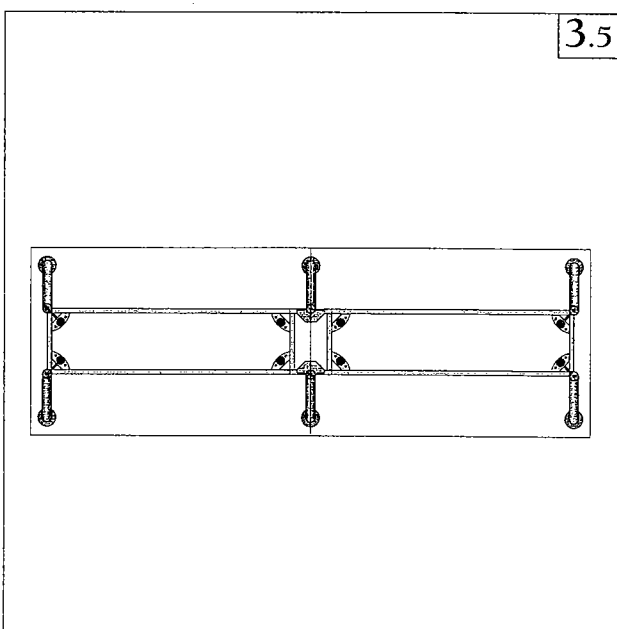
Insert center leg adapter into the beam of the top frame.
The leg mount must be to the outside.



Clamp center leg adapter.
Turn screw into the beam with a 5mm Allen wrench.

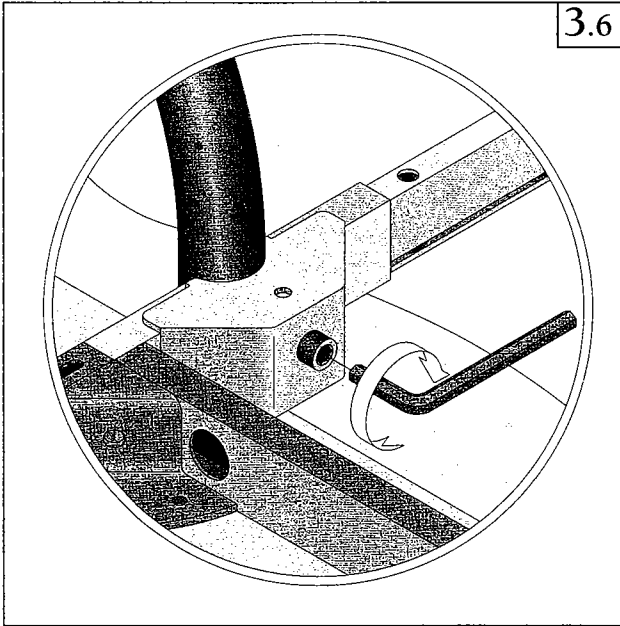


Position leg on center leg adapter.
In doing so, note leg position.
See drawing on the right.

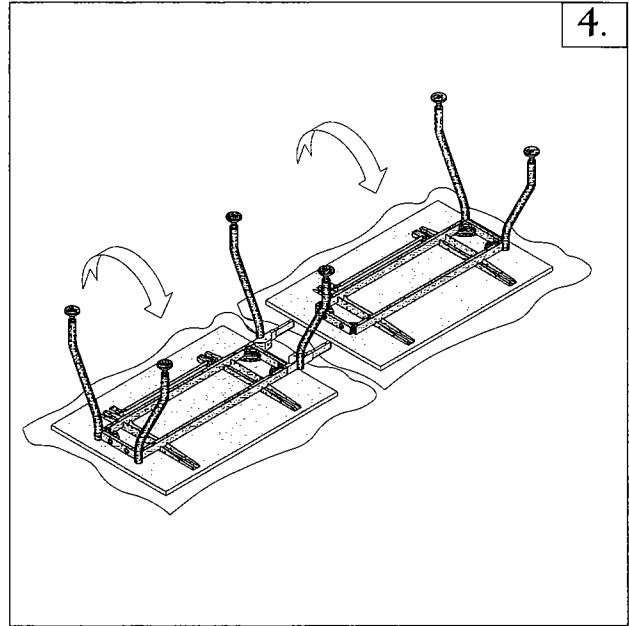


Leg position when making a linear connection with
the center leg adapter.

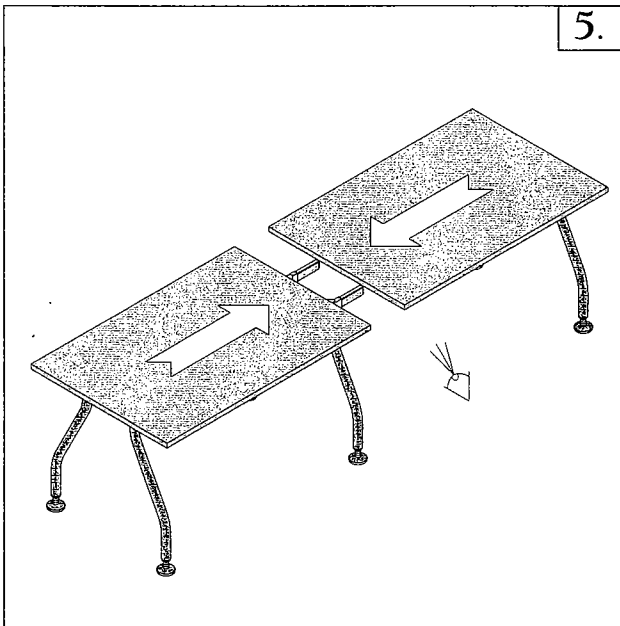
Werndl™ Emerge™
Linear Connector, Center Leg



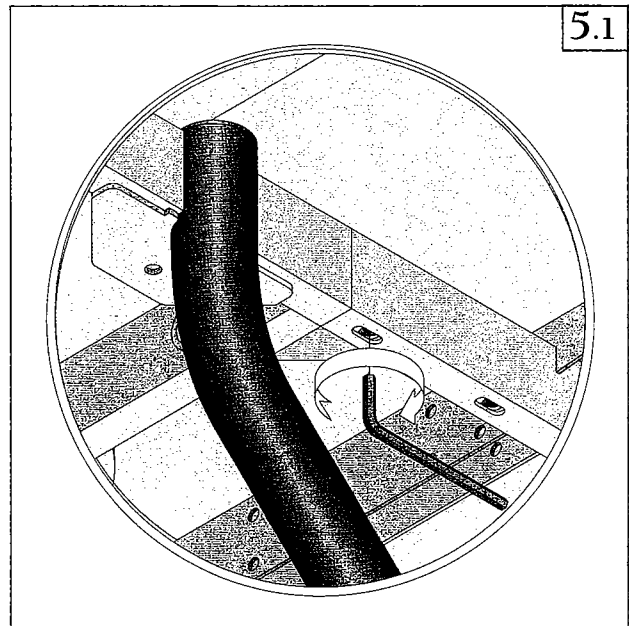
Bolt leg to center leg adapter using an 8mm Allen wrench.



Turn both tables over and set them up on their legs.



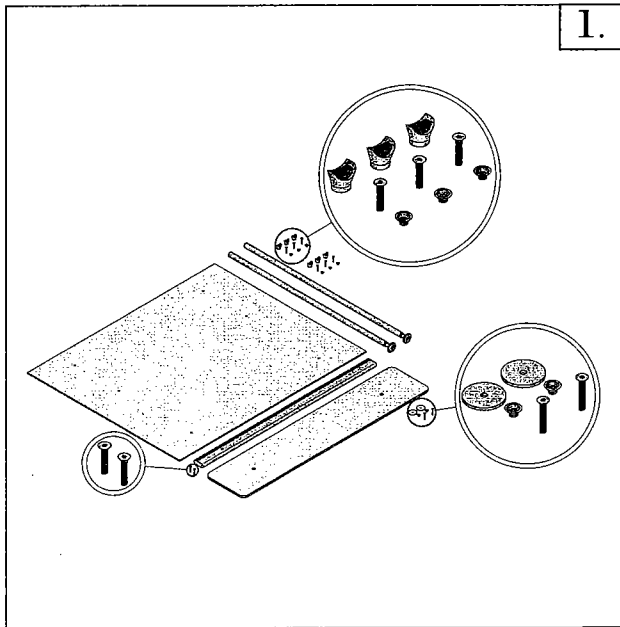
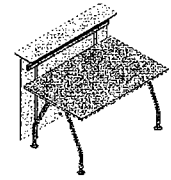
Push tables together. In doing so, make certain that the center leg adapters are pushed into the table top frame.



Tighten center leg adapter.
Turn screws in beam with a 5mm Allen wrench.

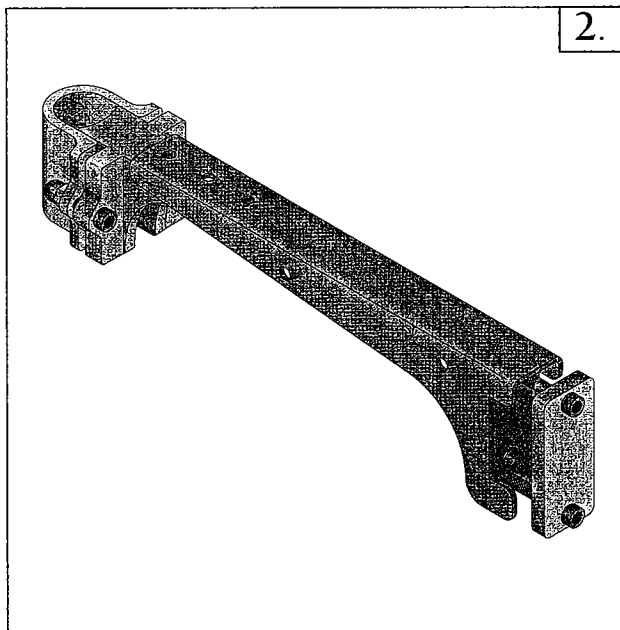
Werndl™ Emerge™

1.9.1 Installation of Glass/Metal Counter Complet



Package contents:

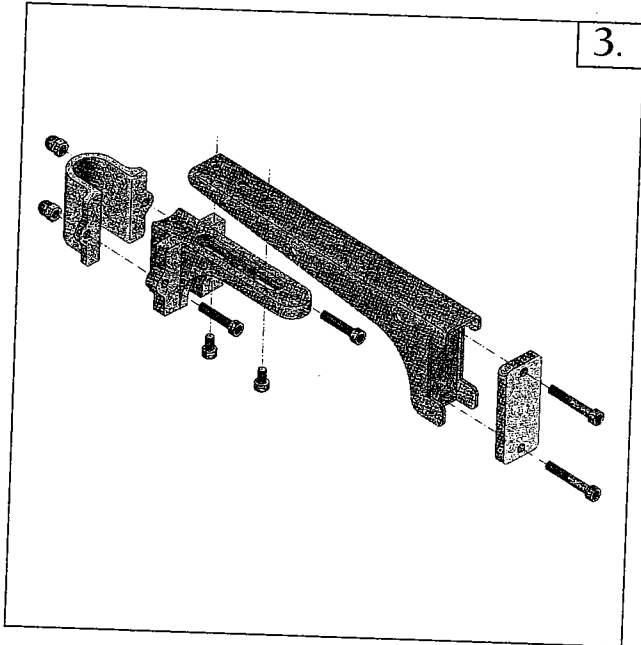
- 1 glass back wall
- 1 straight top organization rail including covers
- 2 screws M6x30 for the top organization rail
- 1 counter top of glass/metal
- 2 washers, 40 mm diameter
- 2 plastic flanged inserts
- 2 screws M6x35
- 2 complete columns, including per column:
 - 3 plastic sleeves
 - 3 screws, M6x30
 - 3 recessed sleeves of plastic



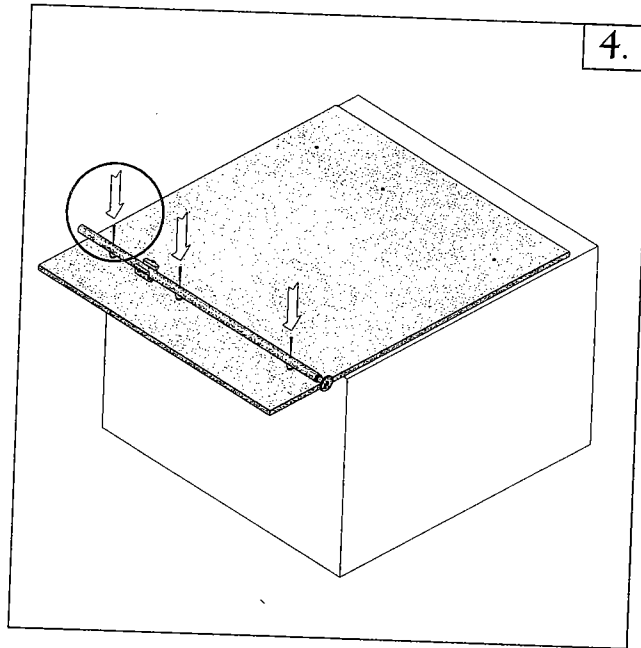
Package contents:

- 2 complete counter adapters, consisting of the following parts per adapter:
 - 1 clamping bracket
 - 1 counter adapter
 - 1 cantilevered arm
 - 1 screw mounting plate
 - 2 screws, M6x25
 - 2 cap nuts, M6
 - 2 screws M6x10
 - 2 screws M6x40

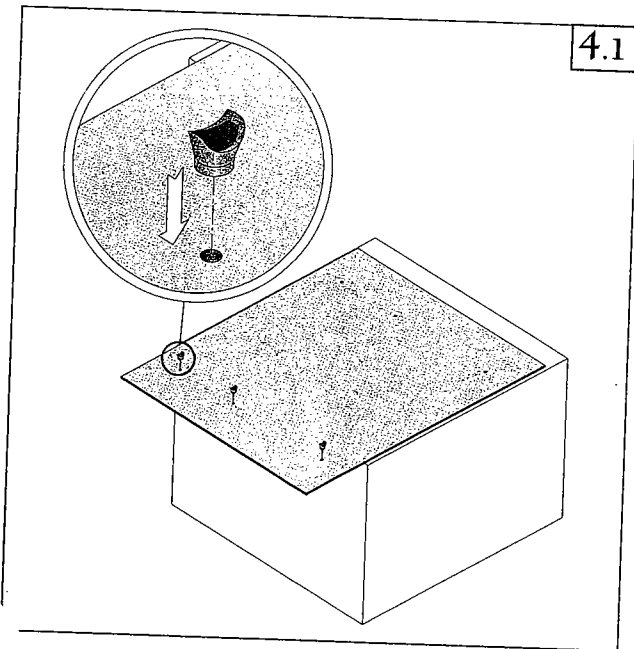
Werndl™ Emerge™ Installation of Glass/Metal Counter Complete



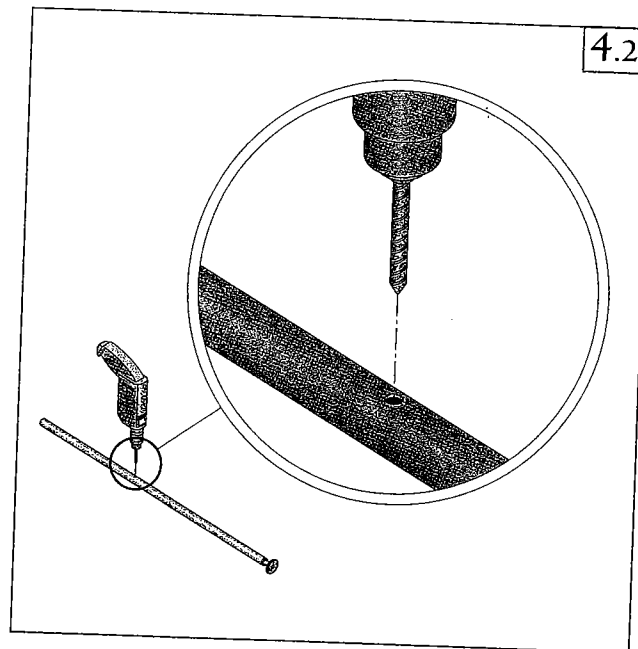
3. Disassemble the counter adapters.



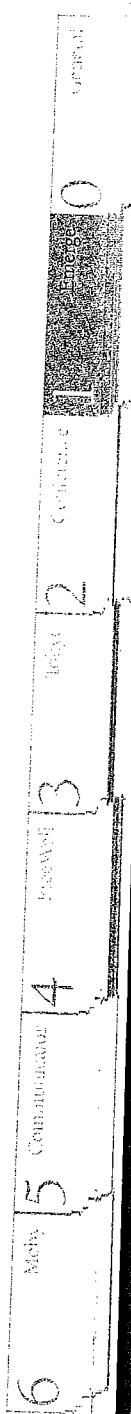
4. To make assembly easier, lay a blanket on a flat surface.
Lay the back wall on the blanket.
Slide it until a row of holes is accessible from below.



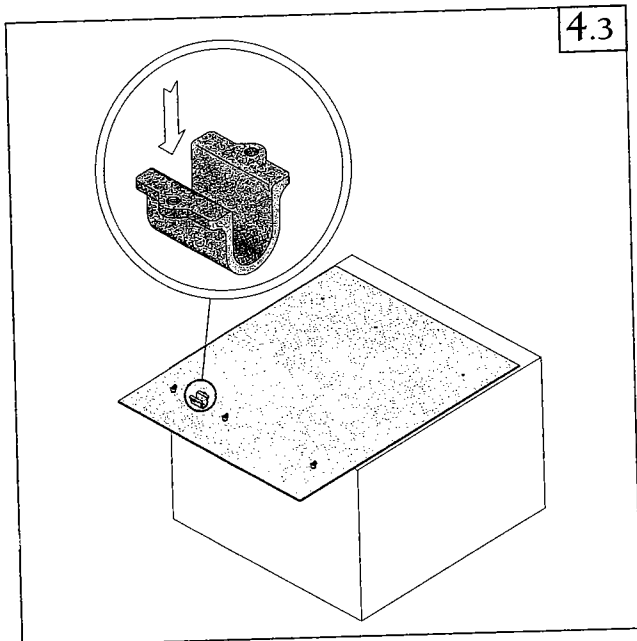
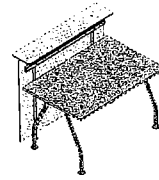
4.1 Position plastic sleeves at the holes in the back wall.



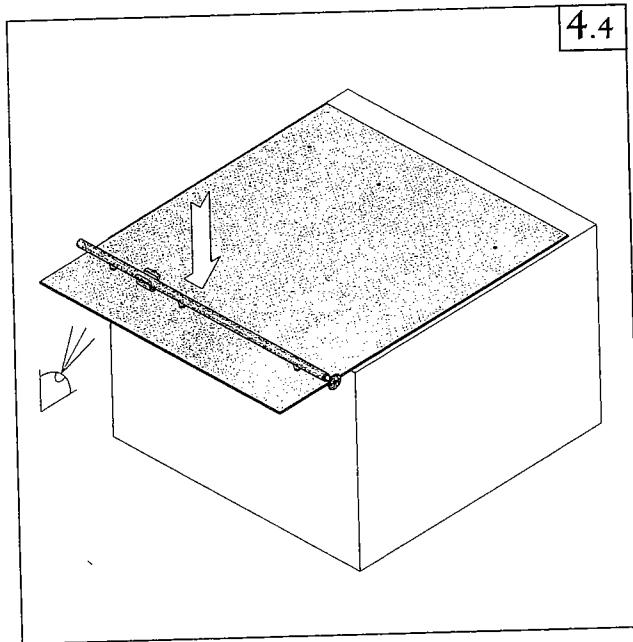
4.2 If a briefcase rail needs to be installed, first drill the center hole in the column all the way through.
Use a 7 mm diameter metal bit.



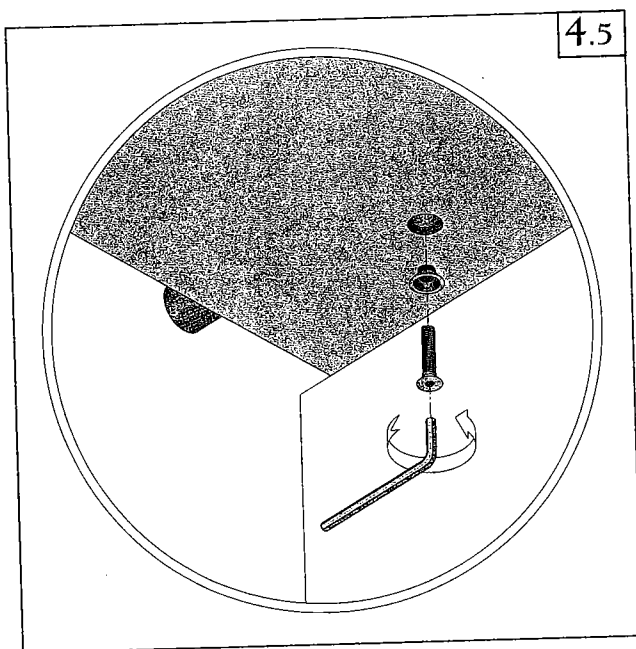
Werndl™ Emerge™ Installation of Glass/Metal Counter Complete



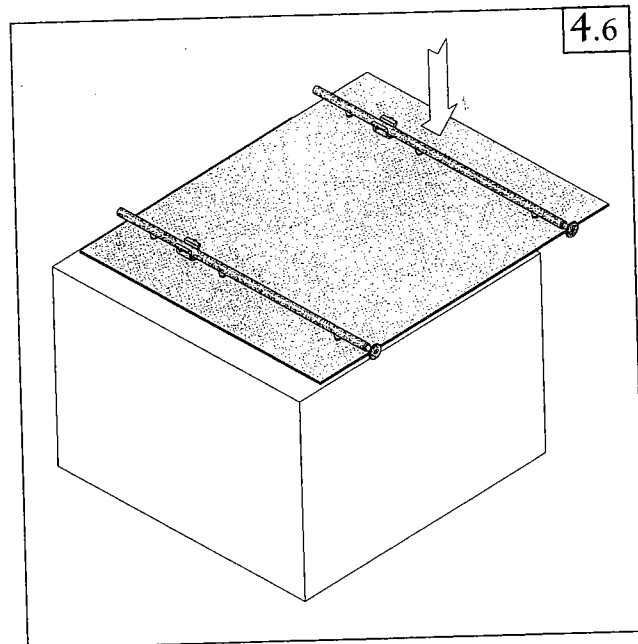
Position the clamping bracket of the counter adapter between the top holes of the back wall. The top edge of the back wall is the one where the holes are closer together.



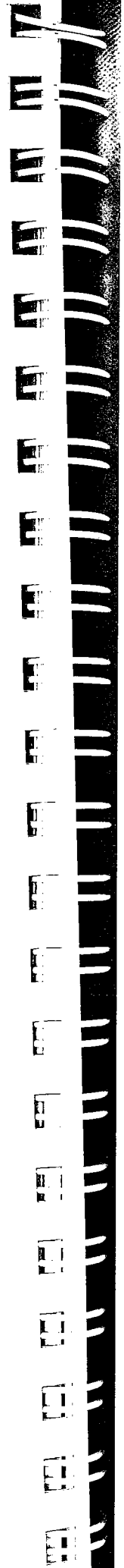
Set the column down on the plastic sleeves.



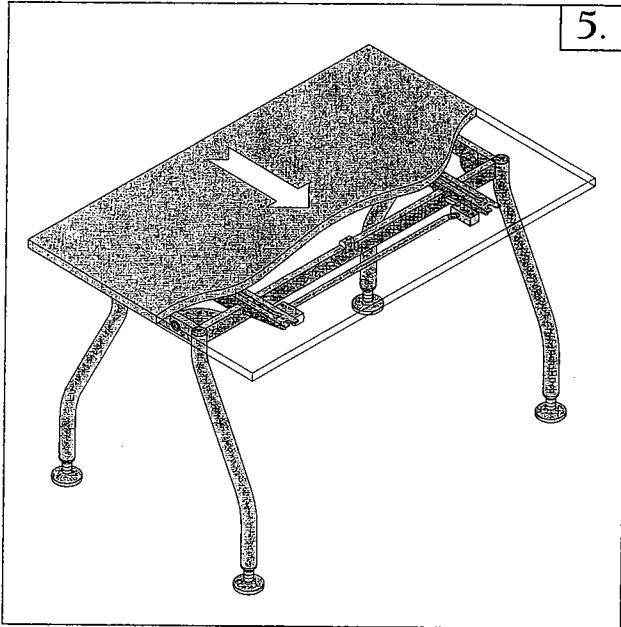
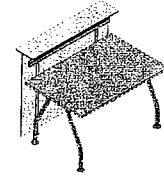
Push flanged inserts into the holes of the back wall from below. Screw M6x30 screws into the columns. Use 4 mm Allen wrench.



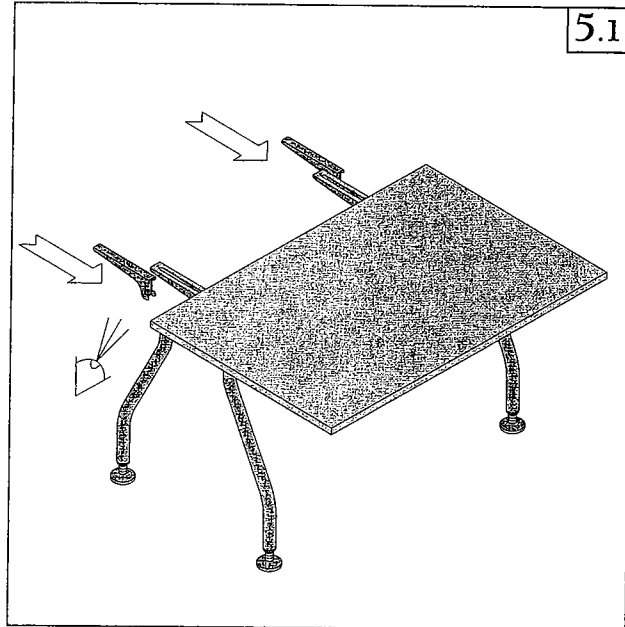
Repeat steps 4.1 to 4.5 for each column.
Note: If you are mounting a briefcase rail, the center hole must be kept open.



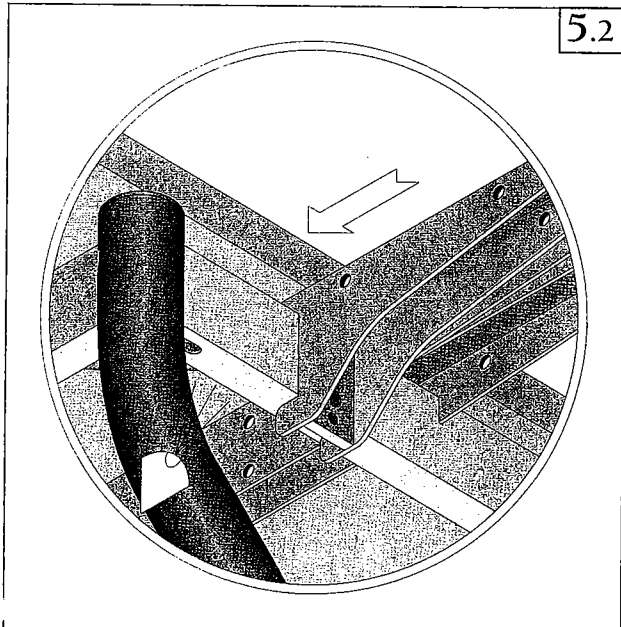
Werndl™ Emerge™
 Installation of Glass/Metal Counter Complete



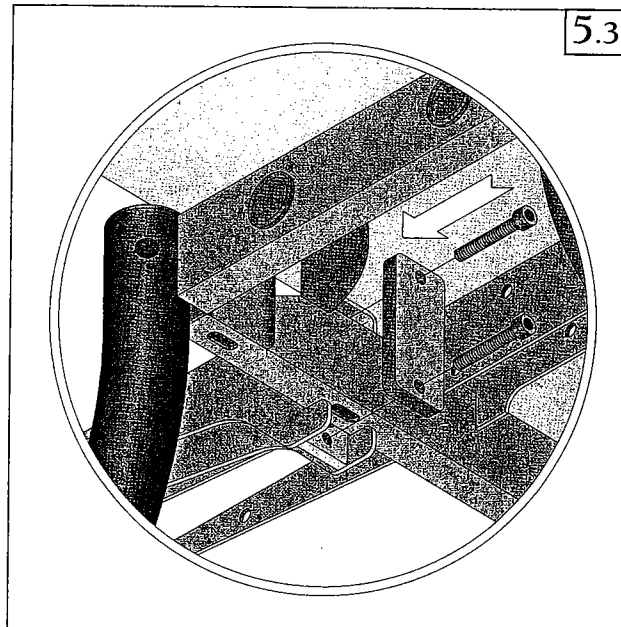
Prepare desk. Retract sliding top if possible.



Align counter adapters with the table top frame.



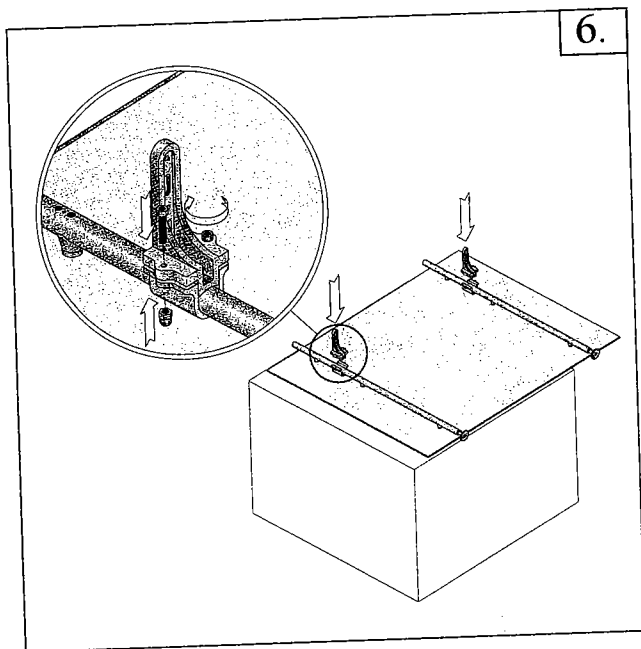
Push counter adapters in place.



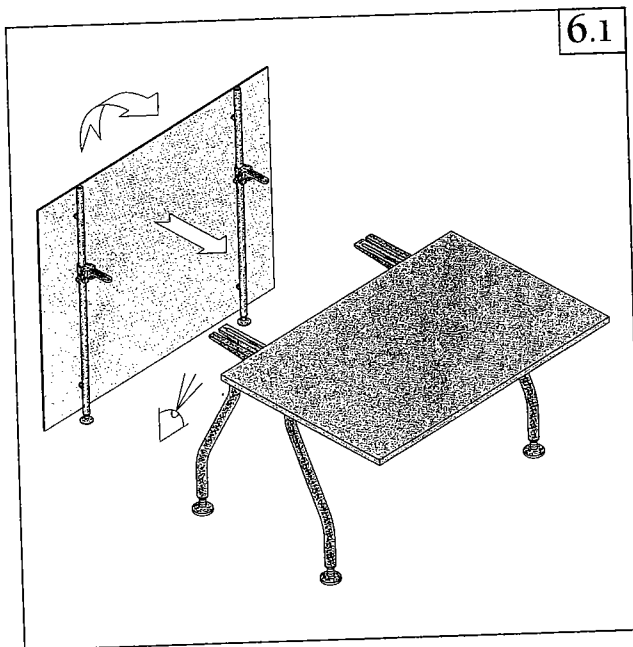
Attach counter adapter with screw mounting plate and M6x40 screws and hand tighten.
 First align with the counter.

General 0
 Conference 1
 ielco 2
 FreeWall 3
 Communicator 4
 Moby 5
 6

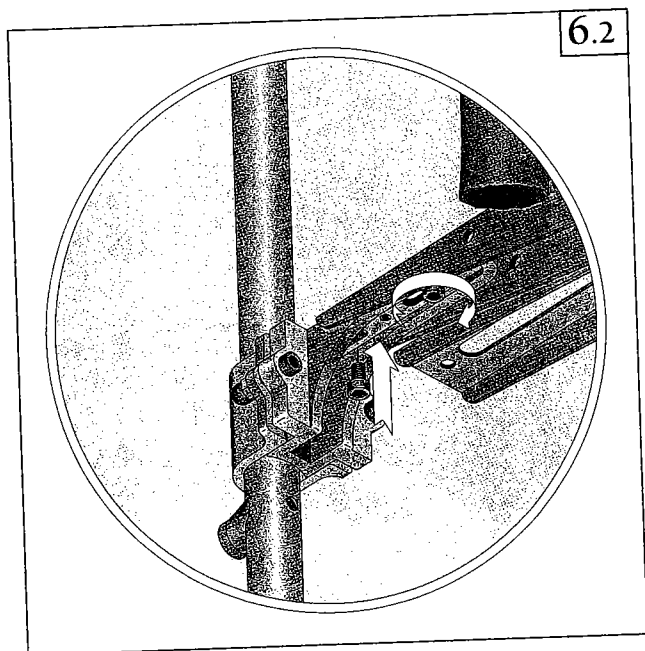
Werndl™ Emerge™ Installation of Glass/Metal Counter Complete



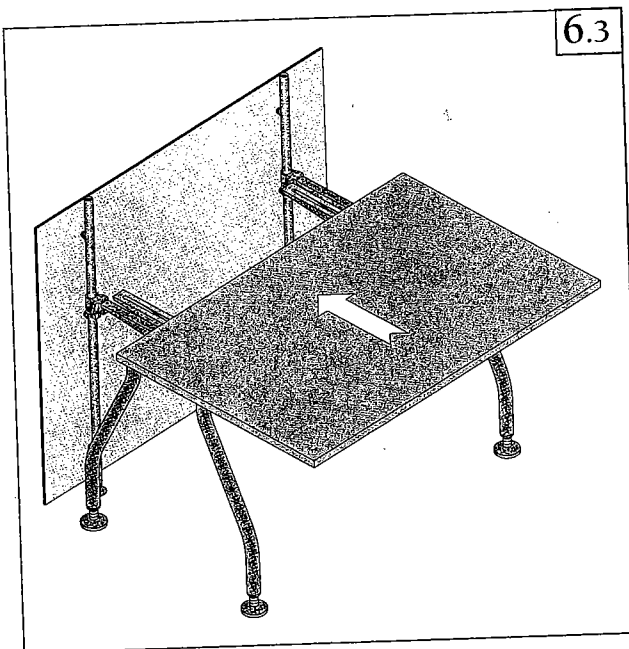
6.0
Attach counter adapter to the clamping brackets by hand tightening screws. Start M6x25 screws from the adapter side.



6.1
Set up back wall and position at the desk.



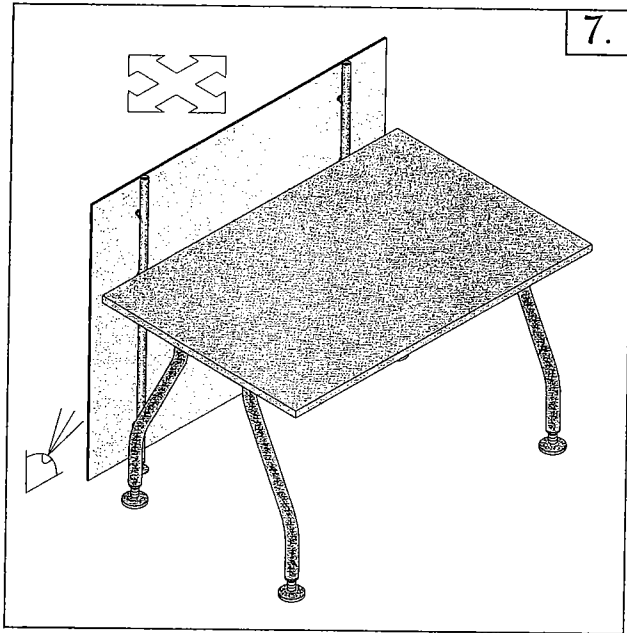
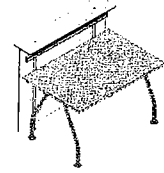
6.2
Attach counter adapter to the cantilevered arms with M6x20 screws. Hand tighten.



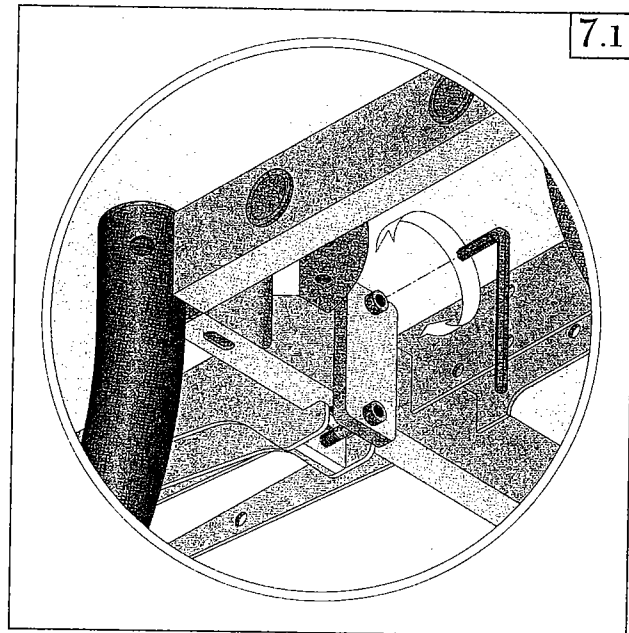
6.3
Push table top back.

Werndl™ Emerge™

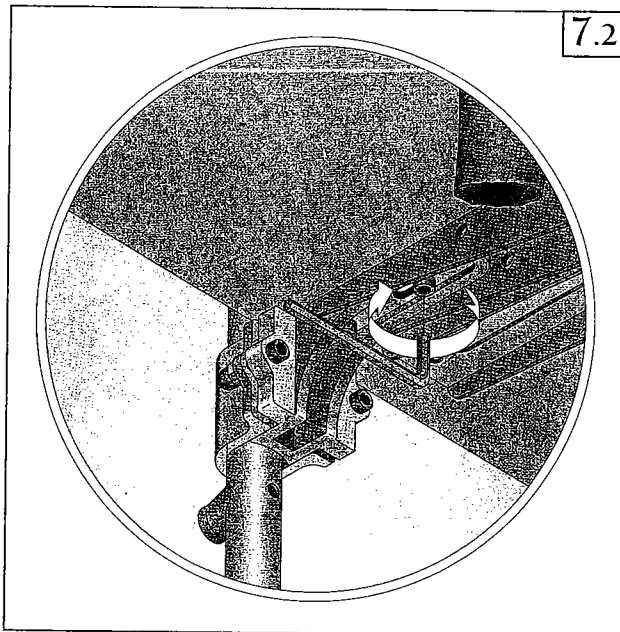
Installation of Glass/Metal Counter Complete



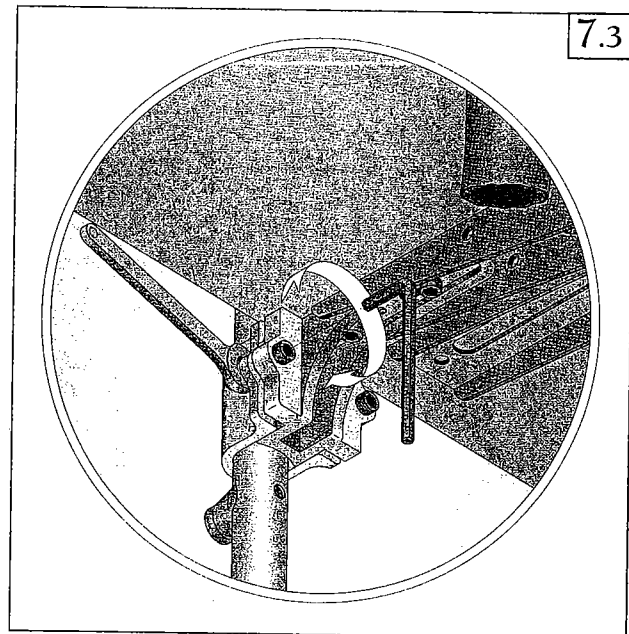
Align back wall with desk. Set distance between back edge of table top and columns. Adjust glides of the counter complete.



Tighten both counter adapters to the frame using a 5 mm Allen wrench.



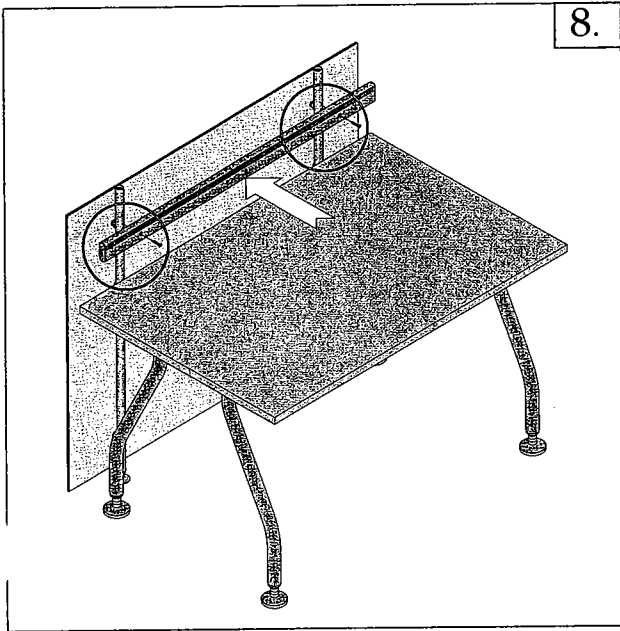
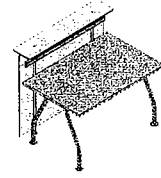
Draw M6x10 screws tight against the cantilevered arms using a 5 mm Allen wrench.



Draw M6x25 screws tight against the clamping brackets using a 5 mm Allen wrench. Hold cap nuts with a 10 mm open end wrench.

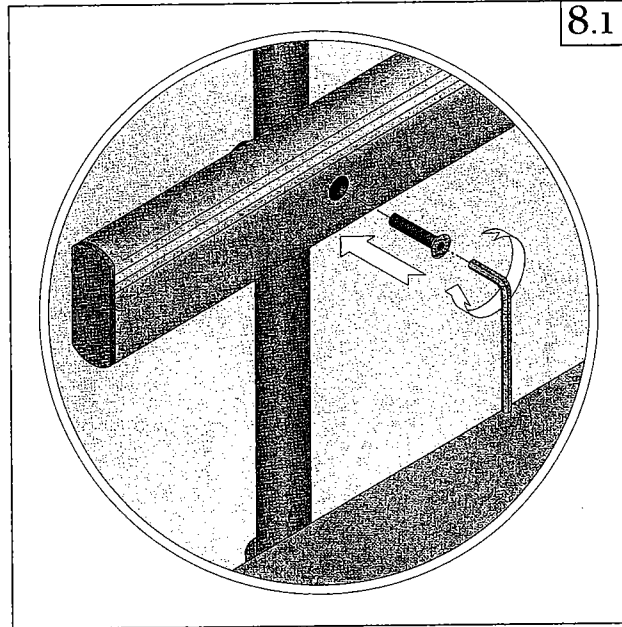
0
1
2
3
4
5
6

Werndl™ Emerge™ Installation of Glass/Metal Counter Complete



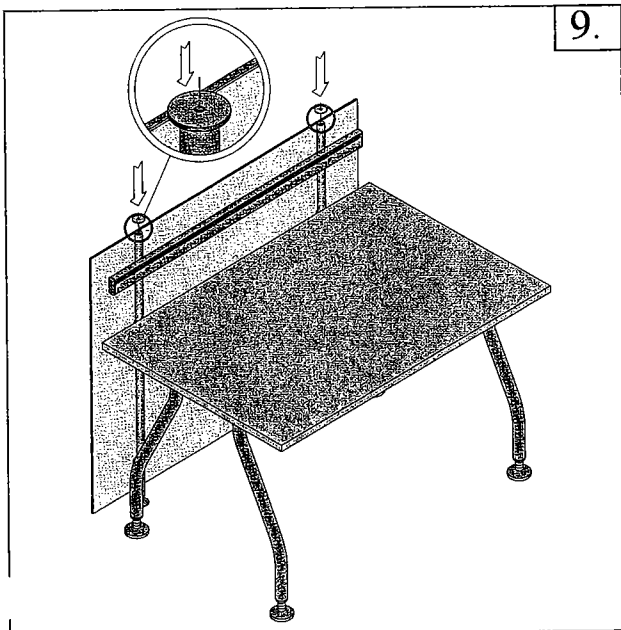
8.

Align top organization rail with the columns.



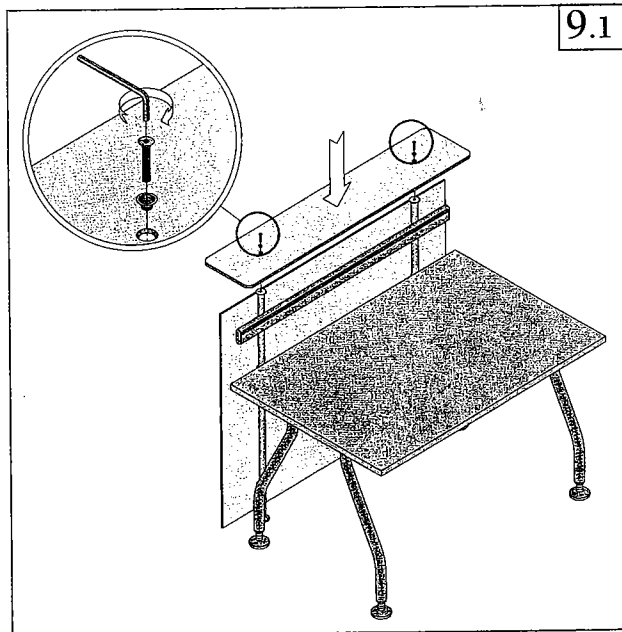
8.1

Attach top organization rail with M6x30 screws.
Use 4 mm Allen wrench.



9.

Place 40 mm washers on the columns.

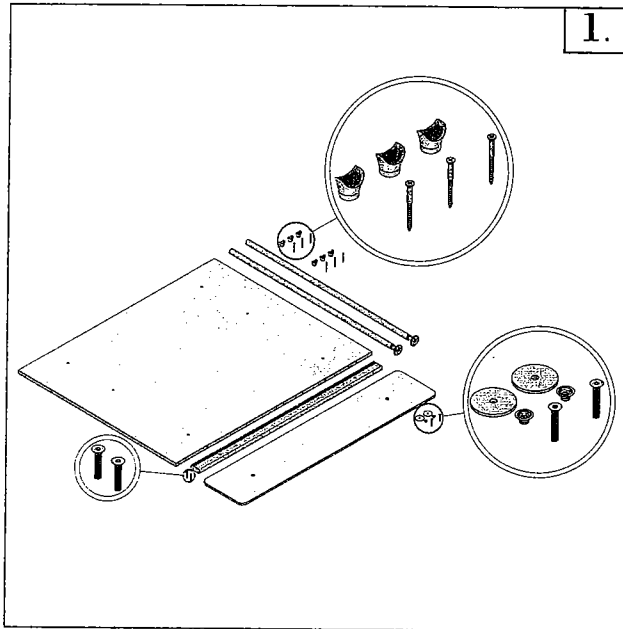
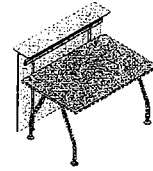


9.1

Lay countertop on the columns. Push flanged inserts
into the holes in the countertop. Now attach with
M6x35 screws. Tighten with 4 mm Allen wrench

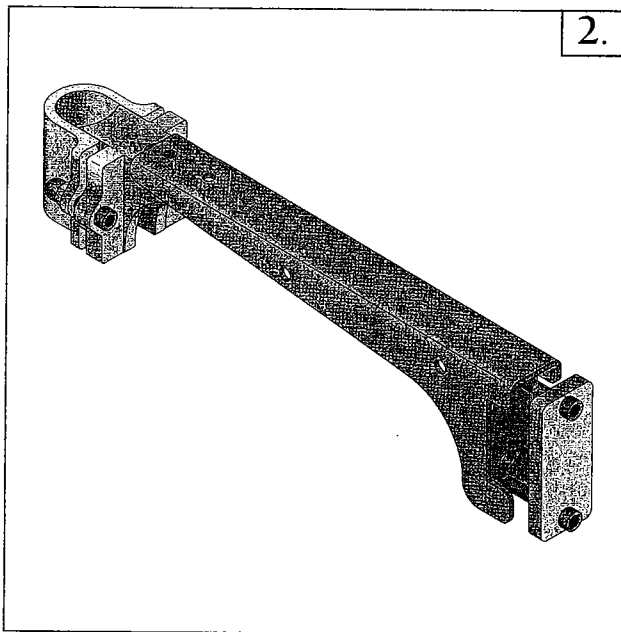
Werndl™ Emerge™

1.9.2 Installation of Laminate Counter Complete



Package contents:

- 1 back wall
- 1 straight profile rail including covers
- 2 screws M6x30 for the top organization rail
- 1 counter top of glass or aluminum
- 2 washers, 40 mm in diameter
- 2 plastic flanged inserts
- 2 screws M6x35
- 2 columns, including:
 - 3 plastic sleeve
 - 3 particle board screws, M6x30

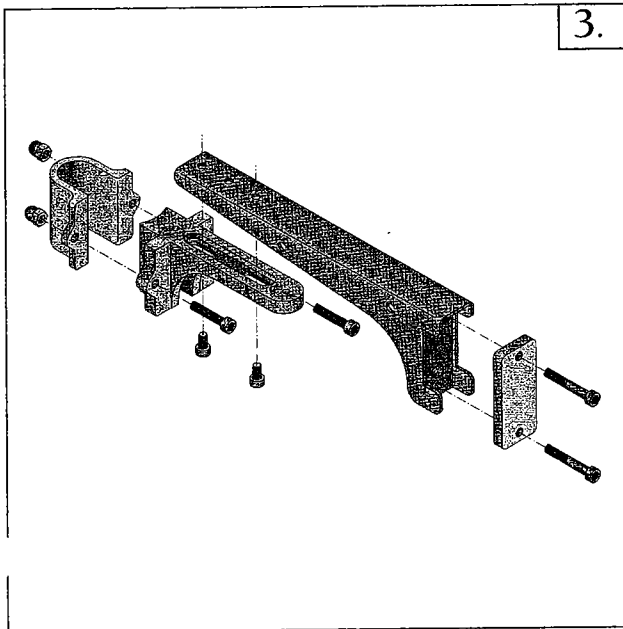
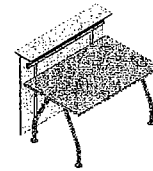


Package contents:

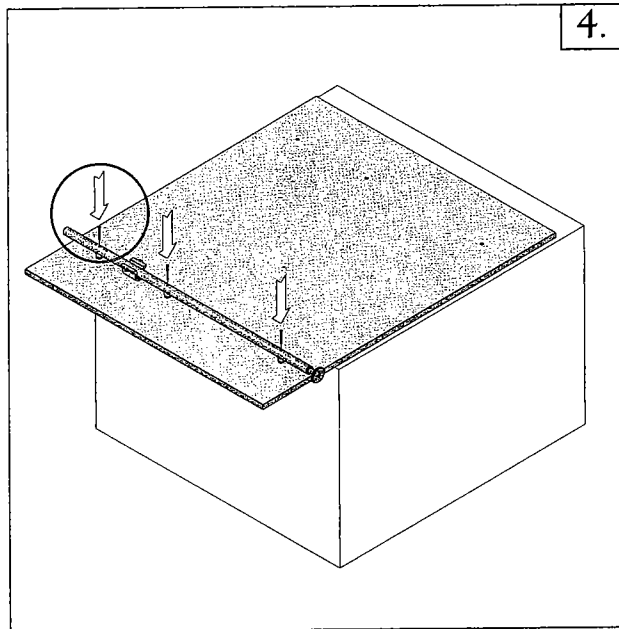
- 2 counter adapters, complete including:
 - 1 clamping bracket
 - 1 counter adapter
 - 1 cantilevered arm
 - 1 screw w mounting plate
 - 2 screws, M6x25
 - 2 caps nuts, M6
 - 2 screws M6x10
 - 2 screws M6x40

General	0
Conference	1
Table	2
File Wall	3
Communication	4
Moby	5
	6

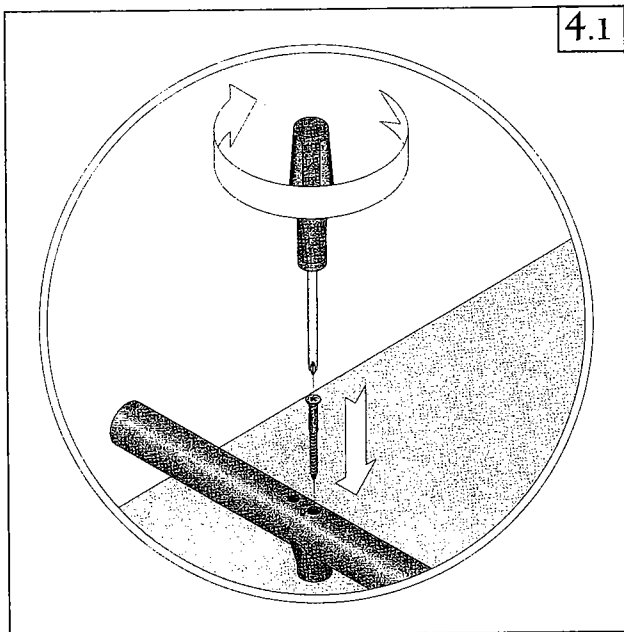
Werndl™ Emerge™
Installation of Laminate Counter Complete



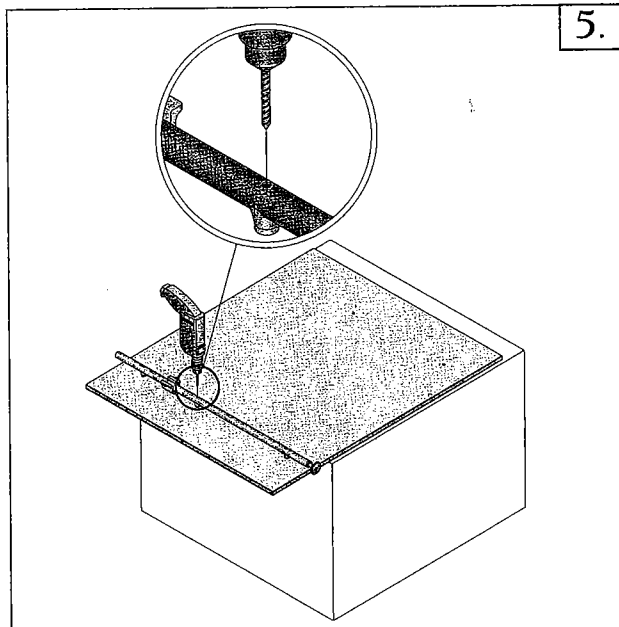
Disassemble the counter adapters.



To make assembly easier, lay a blanket on a flat surface.
Lay the back wall on the blanket.
Slide it until a row of holes is accessible from below.



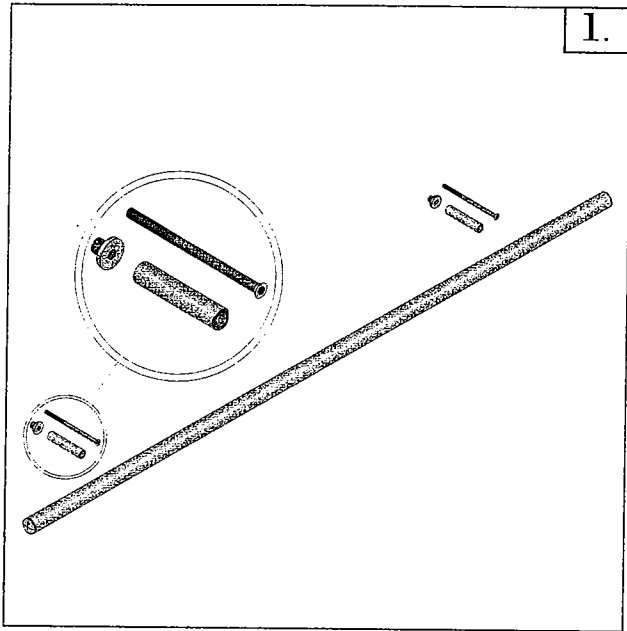
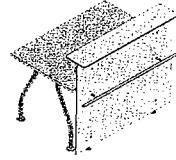
Position plastic sleeves at the holes in the back wall.



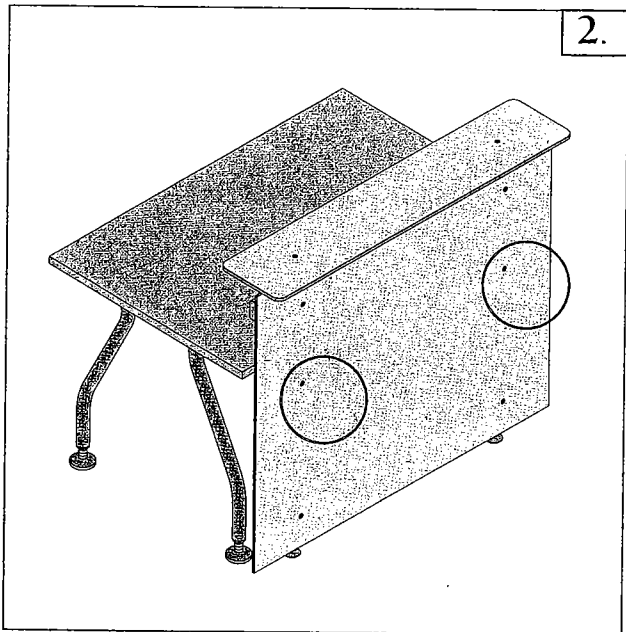
If a briefcase rail will also be installed, first drill the center hole in the column all the way through. Use a 7 mm diameter metal bit. Next steps see Section 1.9.1, Figures 4.6 to 9.1

Werndl™ Emerge™

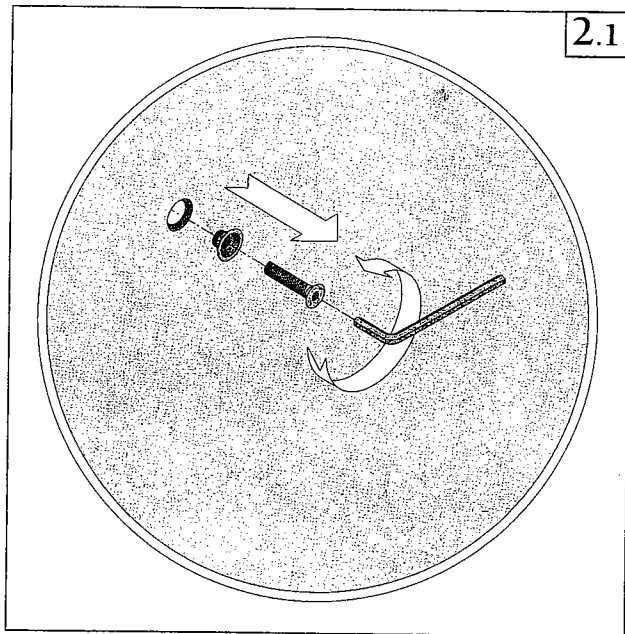
1.9.3 Mounting the briefcase rail to the Counter Complete



- Package contents:
- 1 rail including cover caps
 - 2 spacers
 - 2 plastic flanged inserts
 - 2 screws M6x110



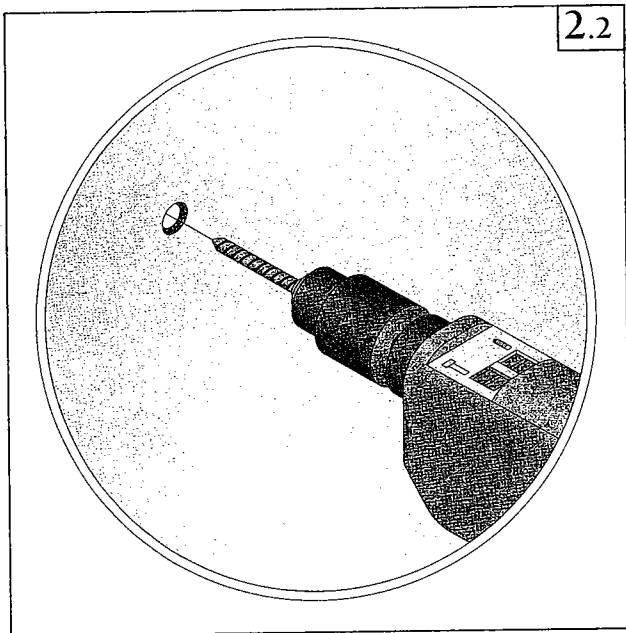
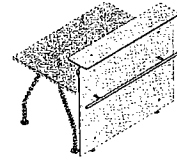
Prepare columns. Items 2.1 and 2.3 do not apply if the briefcase rail is installed at the same time as the counter.



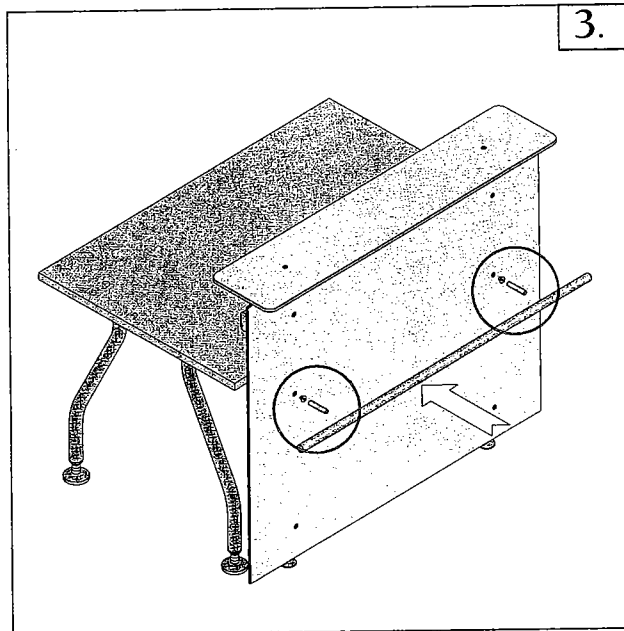
Unscrew the center M6x30 screw using a 4 mm Allen wrench. Remove the flanged insert

6	7	8	9	10	11	12	13	14	15	16	17	18	19	20	21	22	23	24	25	26	27	28	29	30	31	32	33	34	35	36	37	38	39	40	41	42	43	44	45	46	47	48	49	50	51	52	53	54	55	56	57	58	59	60	61	62	63	64	65	66	67	68	69	70	71	72	73	74	75	76	77	78	79	80	81	82	83	84	85	86	87	88	89	90	91	92	93	94	95	96	97	98	99	100
---	---	---	---	----	----	----	----	----	----	----	----	----	----	----	----	----	----	----	----	----	----	----	----	----	----	----	----	----	----	----	----	----	----	----	----	----	----	----	----	----	----	----	----	----	----	----	----	----	----	----	----	----	----	----	----	----	----	----	----	----	----	----	----	----	----	----	----	----	----	----	----	----	----	----	----	----	----	----	----	----	----	----	----	----	----	----	----	----	----	----	----	----	----	-----

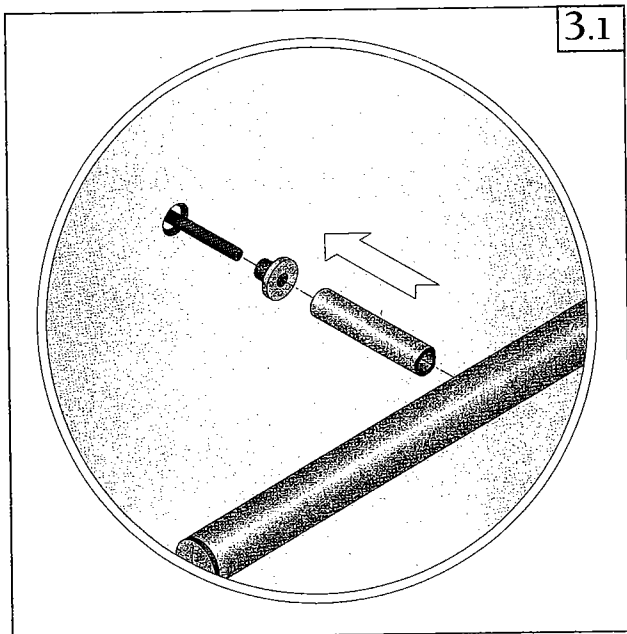
Werndl™ Emerge™ Mounting the briefcase rail to the Counter Complete



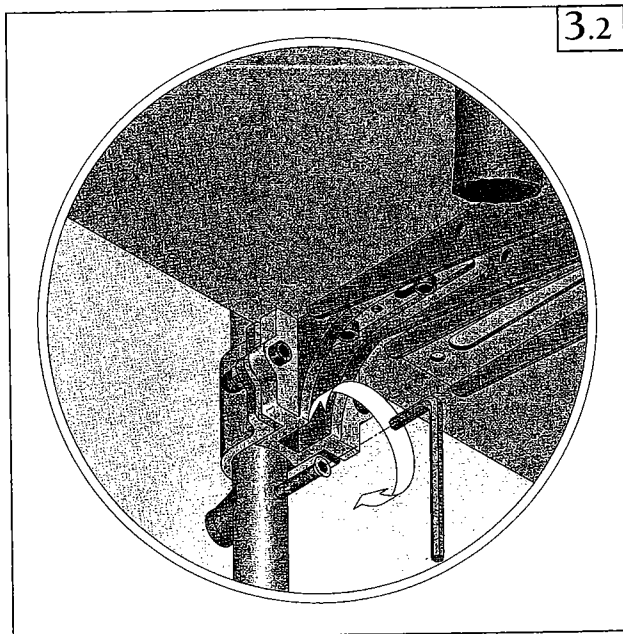
2.2
Drill the threads of the columns with 7 mm diameter metal bit.
Use caution with the glass back wall.
With a wood back wall, drill from the inside.



3.
Align the parts of the briefcase rail.



3.1
Push flanged plastic inserts into the holes of the back wall.
Push M6x110 screws through from the inside
and put on the spacers.



3.2
Tighten the railing from inside with 4 mm Allen wrench.