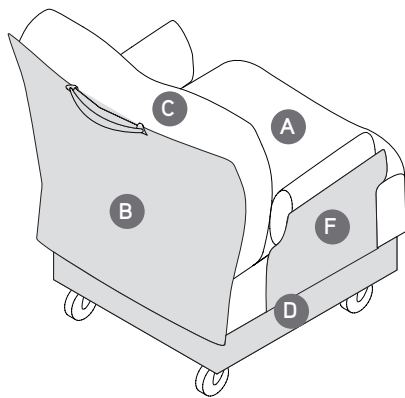
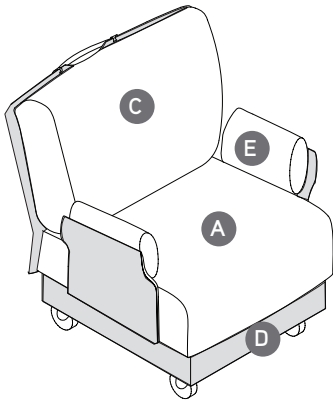


Detour | Multi-Fabric Diagram and Yardage Request Form

DESIGN METRO DESIGN GROUP | STEELCASE AND IDEO



TO: _____

FROM: _____

DATE: _____

FAX...888.413.5161

A Seat (upholstery selections default for entire unit if B is not selected): _____

B Back: _____

C Back Cushion: _____

D Base Frame: _____

E Inner Arm: _____

F Outside Arm: _____

** \$100 U.S. list per contrasting fabric specified. List price based on highest fabric grade usage.*



For Canadian Pricing
Multiply U.S. Price by the
Canadian price factor.
▶ See page 1 for details.