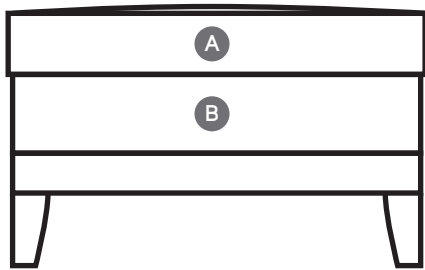


Thoughtful Ottoman Contrasting Sketches



TO: _____

FROM: _____

DATE: _____

FAX....888.413.5161

A Seat (upholstery selections default for entire unit if B is not selected): _____

B Base Frame: _____

* Contrasting welt offered as a separate option at an \$158 upcharge

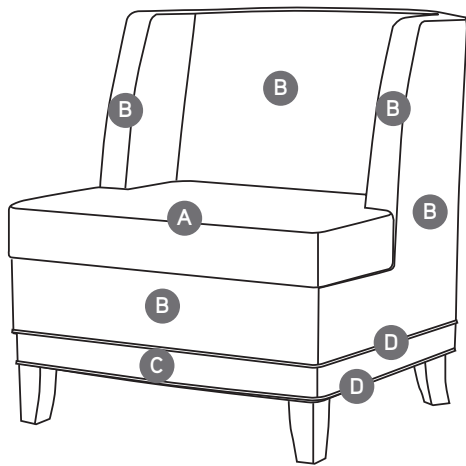
Thoughtful Contrasting Sketches

TO: _____

FROM: _____

DATE: _____

FAX....888.413.5161



A Seat (upholstery selections default for entire unit if B is not selected): _____

B Arms and Back: _____

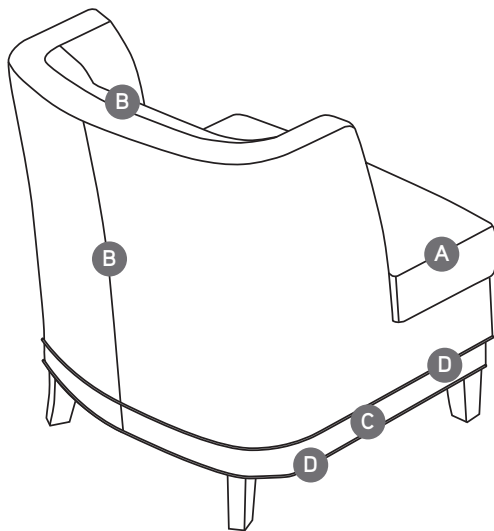
C Base Frame: _____

D Welt: _____

Total List Price
Upcharge for Contrasting Fabrics = \$ _____

\$105 list per contrasting fabric specified.
List price based on highest grade textile specified.

Contrasting welt offered as a separate option
at an \$158 upcharge.



Specify model below:

385

385-60

385-70

385-80

Model 385 Shown Above